

Refrigerator  
**TOP MOUNTED FREEZER SERIES**

# **USER MANUAL**

**MRT14B3AWW**

Warning notices: Before using this product, please read this manual carefully and keep it for future reference. The design and specifications are subject to change without prior notice for product improvement. Consult with your dealer or manufacturer for details. The diagram above is just for reference. Please take the appearance of the actual product as the standard.

# LANGUAGES

**EN** English

**FR** French

**ES** Spanish

**Free 3 months extension of the original limited warranty period!\*** Simply text a picture of your proof of purchase to:

**1-844-224-1614**

\*The warranty extension is for the three months immediately following the completion of the product's original warranty period. Individuals do not need to register the product in order to get all the rights and remedies of registered owners under the original limited warranty.

## THANK YOU LETTER

Thank you for choosing Midea! Before using your new Midea product, please read this manual thoroughly to ensure that you know how to operate the features and functions that your new appliance offers in a safe way.

# CONTENTS

THANK YOU LETTER	01
SPECIFICATIONS	02
PRODUCT OVERVIEW	03
PRODUCT INSTALLATION	04
OPERATION INSTRUCTIONS	11
CLEANING AND MAINTENANCE	14
TROUBLESHOOTING	16

EN

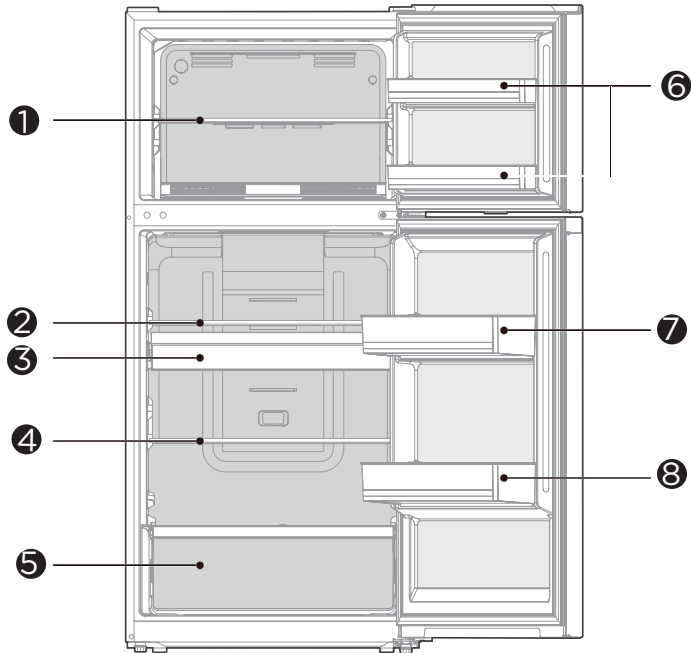
# SPECIFICATIONS

<b>Product model</b>	<b>MRT14B3AWW</b>
Total Storage Volume	14.2 cu.ft.
Rated Voltage	115V-/60Hz
Rated Current	1.2A
Overall Dimension (H x W x D)	60.6 in x 27.6 in x 28.8 in

EN

# PRODUCT OVERVIEW

## Names of components



- |   |                            |   |                          |
|---|----------------------------|---|--------------------------|
| 1 | Freezer glass shelf        | 5 | Fruit and vegetable box  |
| 2 | Refrigerator glass shelf 1 | 6 | Freezer door trays       |
| 3 | Tray                       | 7 | Refrigerator door tray 1 |
| 4 | Refrigerator glass shelf 2 | 8 | Refrigerator door tray 2 |

### ● ATTENTION

The picture above is only for reference. The actual configuration will depend on the physical product or statement by the distributor.

When the refrigerator is powered on for the initial time, storing too much food may adversely affect the cooling effect of the refrigerator.

Do not block the air outlet during food storage, which may adversely affect the cooling effect. If the temperature in fridge compartment is cold, please adjust the switcher to the weaker position. If the temperature in fridge compartment is not cold enough, please adjust the switcher to the strong position.

EN

# PRODUCT INSTALLATION

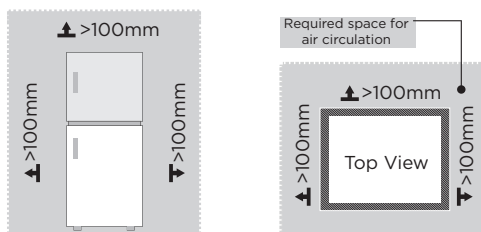
## Installation Instructions

### Finding a suitable location

- This refrigerator is designed to be free standing only, and should not be recessed or built-in.
- The refrigerator should be placed in a well-ventilated indoor place; the ground shall be flat and sturdy.
- Keep away from heat and avoid direct sunlight. Do not place the refrigerator in moist or watery places to prevent rust or reduction of insulating effect.

### Dimensions and Clearances

- Too small of a distance from adjacent items may result in the degradation of freezing capability and increased electricity costs. Allow over 100 mm of clearance from each adjacent wall when installing the appliance.



EN

### Providing a proper power supply

- Check your local power source. This refrigerator requires a **AC115 V, 60 Hz** power supply.
- Use a receptacle that accepts the grounding prong. The power cord is equipped with a 3-prong (grounding) plug which mates with a standard 3-prong (grounding) wall outlet to minimize the possibility of electric shock hazard from this refrigerator.

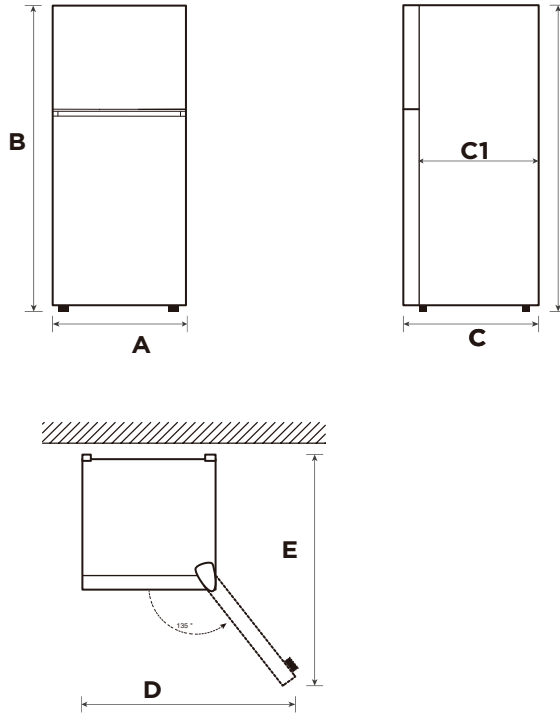
### CAUTION

The refrigerator should always be plugged into its own individual electrical outlet which has a voltage rating that matches the rating plate. Never unplug your refrigerator by pulling on the power cord. Always grip the plug firmly and pull straight out from the outlet.

### Start to use

- The refrigerator shall stay for 2 hours before connecting power when it is firstly started.
- The refrigerator shall run 2 to 3 hours before loading fresh or frozen foods; the refrigerator shall run for more than 4 hours in summer in advance considering that the ambient temperature is high.

Space requirement diagram (when the door is open and when the door is closed)



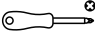

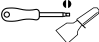
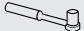

EN

Width	Overall Height	Depth	Depth Only Cabinet	Door Open 135° Width	Doors Open 135° Depth
A	B	C	C1	D	E
700	1540	731	650	1085	1310

Notice: All dimensions in mm

## Door right-left change

### List of tools to be provided by the user

	Cross screwdriver
	Allen wrench
	Putty knife Thin-blade screwdriver
	5/16" socket and ratchet
	Masking tape

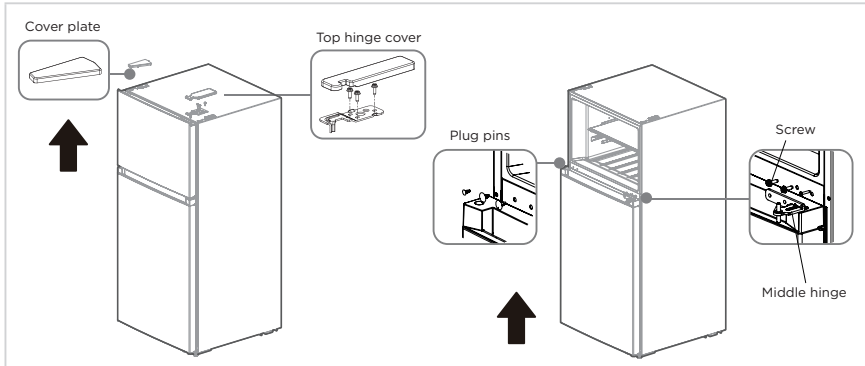
### Parts to be used for door reverse

SN	Parts	Quantity	Notes
1	Upper hinge	1	Pre-installed on the box and still needs to be used when changing the door
2	Upper hinge cover	1	
3	Upper hinge axle sleeve	1	
4	Upper hinge screw	3	
5	Hole cover	1	
6	Middle hinge screw	2	
7	Middle hinge	1	
8	Hole plug	2	
9	Adjustable foot	1	
10	Center sill screw	2	
11	Center sill screw cap	1	
12	Lower hinge screw	3	
13	Lower hinge	1	
14	Stopper	2	
15	Stopper screw	2	
16	Right door self-locking	2	Pre installed on the door body, removed when changing the door, and retained
17	Left door self-locking	2	Put it in the accessory bag and use it when changing the door
18	Screw self-locking	2	Pre-installed on the door and still needs to be used when changing the door
19	Hole plug	1	

### Step

1. Unplug your refrigerator and remove all food from refrigerator.
2. Remove the top hinge cover, screws and upper hinge on the top of the cabinet, and the cover plate on the left; take out the freezing door upwards.
3. Unscrew the hinge screws, remove the middle hinge, remove the plug pins, and take out the refrigeration door upwards.

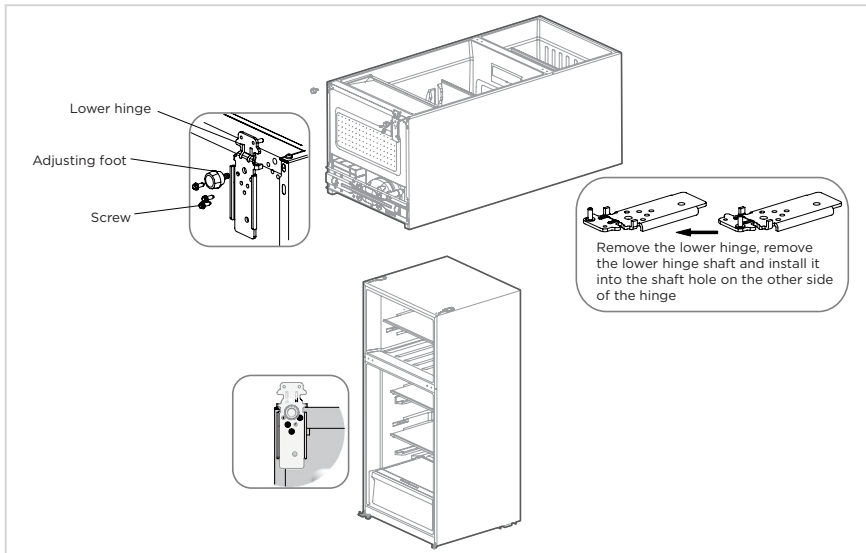




### ⚠ ATTENTION

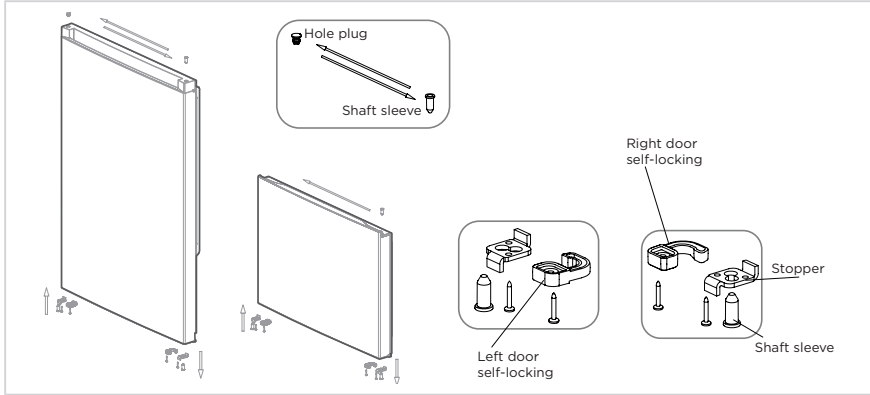
Images show a refrigerator that opens on the left side. Your refrigerator may open on the right side.

4. Put the refrigerator down, unscrew the lower hinge screw and adjusting foot, remove the lower hinge, remove the lower hinge shaft and install it into the shaft hole on the other side of the hinge.
5. Install the lower hinge and tighten the screws on the left side of the refrigerator, install two adjusting feet, and erect the refrigerator.

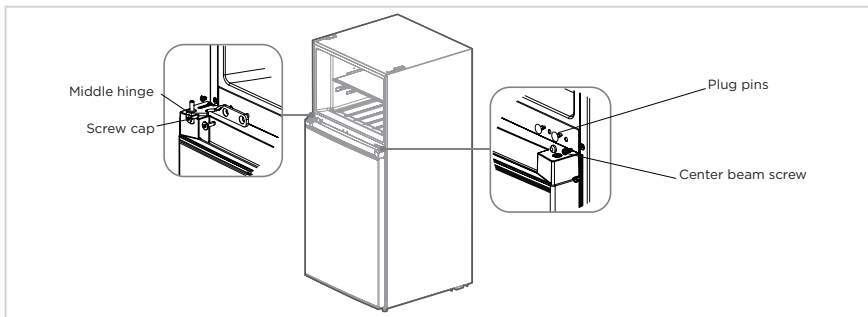


EN

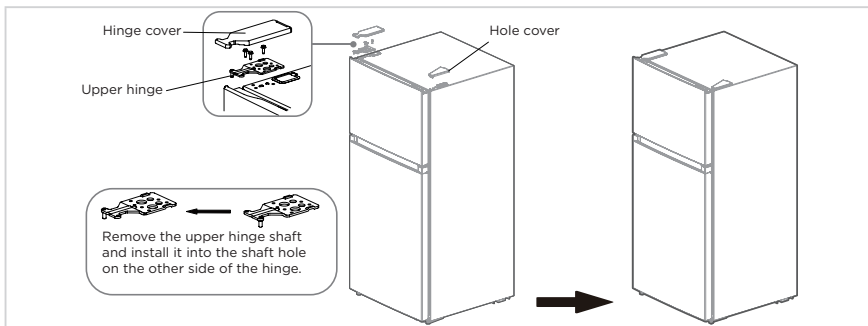
6. Unscrew and remove the shaft sleeves, stopper and right door self-locking screws of the two door bodies, take out the left door self-locking from the accessory bag, and install it to the left corner of the door body together with the stopper and shaft sleeves. Take out the hole plug and shaft sleeve on the upper part of the refrigeration door and adjust their positions before installing them into the door body. Take out the shaft sleeve on the freezing door and install it on the other side.



7. Install the refrigerated door on the lower hinge, install the center beam screws, middle hinge and tighten the screws on the left side, and cover the plug pins, center beam screws and screw caps on the right side.



8. Install the freezing door on the middle hinge, remove the upper hinge shaft and install it into the shaft hole on the other side of the hinge, install the upper hinge and tighten the screws, and install the upper hinge cover and the right hole cover.
9. The door change is completed.



**ATTENTION**

The picture above is only for reference. The actual configuration will depend on the physical product or statement by the distributor.

EN



## Leveling feet

To avoid vibration, the unit must be leveled.

If required, adjust the leveling screws to compensate for the uneven floor.

The front should be slightly higher than the rear to aid in door closing.

Leveling screws can be turned easily by tipping the cabinet slightly.

Turn the leveling screws counterclockwise  to raise the unit, clockwise  to lower it.

## Moving the appliance

1. Remove all food from inside the appliance.
2. Pull the power plug out, insert and fix it into the power plug hook at the rear or on top of the appliance.
3. Tape parts such as shelves and the door handle to prevent from falling off while moving the appliance.
4. Move the appliance with more than two people carefully. When transporting the appliance over a long distance, keep the appliance upright.
5. After installing the appliance, connect the power plug into a socket outlet to switch on the appliance.

### ATTENTION

Precautions before operation:

Before making changes the refrigerator must be disconnected from power.

precautions should be taken to prevent any personal injury.

EN

## Changing the light

- Any replacement or maintenance of the LED lamps is intended to be made by the manufacturer, its service agent or similar qualified person.

## Connecting the appliance

After installing the appliance, connect the power plug into a socket outlet.

### ATTENTION

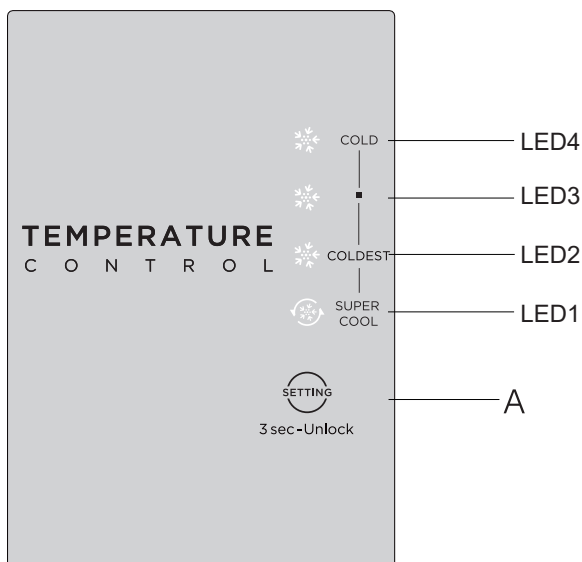
After connecting the power supply cord (or plug) to the outlet, wait 2 or 3 hours before you put food into the appliance. If you add food before the appliance has cooled completely, your food may spoil.

## Tips for energy saving

- Do not place the appliance near cookers, radiators or other heat sources. If the ambient temperature is high, the compressor will run more frequently and for longer, resulting in increased energy consumption.
- Ensure that there is sufficient ventilation at the base of the appliance, on the sides of the appliance and at the back of the appliance. Never cover ventilation openings.
- Please also observe the spacing dimensions in the chapter "Installation".
- The arrangement of drawers, shelves and racks as shown in the illustration offers the most efficient use of energy and should therefore be retained as far as possible. All drawers and shelves should remain in the appliance to keep the temperature stable and save energy.
- To obtain a larger storage space (e.g. for large refrigerated/frozen goods), the middle drawers can be removed. The top and bottom drawers and shelves should be removed last if necessary.
- An evenly filled refrigerator/freezer compartment contributes to optimal energy use. Therefore, avoid empty or half-empty compartments.
- Allow warm food to cool before placing it in the refrigerator/freezer. Food that has already cooled down increases energy efficiency.
- Allow frozen food to defrost in the refrigerator. The coldness of the frozen food reduces the energy consumption in the refrigerator compartment and thus increases the energy efficiency.
- Open the door only as briefly as necessary to minimise cold loss. Opening the door briefly and closing it properly reduces energy consumption.
- The door seals of your appliance must be perfectly intact so that the doors close properly and energy consumption is not increased unnecessarily.

# OPERATION INSTRUCTIONS

## Control Panel



EN

### Key

**A** Setting Button

### Display screen

LED4 COLD

LED3 ■

LED2 COLDEST

LED1 SUPER COOL

### ● ATTENTION

The actual control panel may differ from model to model.

## Operating instructions

### Temperature setting

- Each time the temperature setting button A is pressed once, the temperature setting changes one time. After the temperature setting has been completed, the refrigerator will run according to the set value after 15s.
- When Super Cool mode is activated, the fridge will run at its maximum capacity to faster reach the coolest setting and lasting longest for 6 hours.

The shift regulation is:



Note: The temperature of each gear is within 32 of the set temperature, and the actual situation is slightly different according to the load situation.

### Fault indication

- when electrify the refrigerator for first time, the display screen shines fully for 3 seconds, and then the refrigerator runs according to coldest. In case of a failure, the corresponding LED blinks. In case of no failures, it shows the temperature setting of refrigerator.

EN

Fault Code	Fault Description
LED1/LED2 flashing	Refrigerator temperature sensor fault
LED1/LED3 flashing	Freezing frost sensor faults
LED1/LED4 flashing	Ambient temperature sensor failure

### Lock/Unlock

- When the temperature control panel is in lock state, it needs to long press temperature setting key for 3 seconds for unlocking the panel, all LEDs will blink for 2 seconds when panel is unlocked. When the temperature control panel is in unlock state, if there is no operation on control panel within 15 seconds, it will enter into lock state automatically.

## Tips on storing food

### Freezer compartment

- The freezer is designated for the storage of food frozen at very low temperature, long-term storage of frozen food, and for the production of ice.
- Only use the shelves in the door of the freezer to store frozen food, not for storing hot food designated for freezing.
- Do not put fresh and frozen food next to each other. The frozen food may thaw.
- When freezing fresh food (such as meat, fish or chopped meat), cut them into parts that can be used at the same time.
- Storing frozen food: instructions are usually stated on the packages, which must be followed. If there is no information on the packaging, food should not be stored for longer than three months from the date of purchase.
- When purchasing frozen food, make sure that it was frozen at a suitable temperature and that the packaging is not damaged.
- Frozen food should be kept in suitable packages to retain the quality and should be returned to the freezer compartment as soon as possible.
- If a package of frozen food shows moisture or abnormal bulging, it is probable that it was stored at the wrong temperature and the content is spoiled.
- The storage period for frozen food depends on the room temperature, the thermostat setting, the frequency of opening the door of the freezer, the type of food and the time of transporting the product from the shop to the household. Always follow the instructions printed on the packaging and never exceed the maximum storage time stated on the package.

EN

### Refrigerator compartment

- To reduce moisture and subsequent ice build-up, never put liquid into the refrigerator in unsealed containers. Frost tends to concentrate in the coolest parts of the evaporator. Storing uncovered liquids results in a more frequent need for defrosting.
- Never put warm foods in the refrigerator. These should first cool down at room temperature and then be placed so as to ensure adequate air circulation in the refrigerator.
- Foods or food containers should not touch the back wall of the refrigerator because they could freeze to the wall. Do not keep regularly opening the door of the refrigerator.
- Meat and clean fish (packed in a package or plastic foil) can be placed in the refrigerator, which can be used in 1-2 days.
- Fruit and vegetables without packaging can be placed in the part designated for fresh fruit and vegetables.

#### ATTENTION

The optimal temperature setting of each compartment depends on the ambient temperature. Above optimal temperature is based on the ambient temperature of 25 °C. Storage of too much food during operation after the initial connection to power may adversely affect the freezing effect of the refrigerator. Foods stored shall not block the air outlet; or otherwise the freezing effect will also be adversely affected. When store beverages at coldest setting, inside fruits and vegetables are at risk of freezing, please set on towards less cooling if coldest setting is very cool.

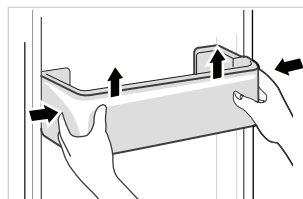
# CLEANING AND MAINTENANCE

## Defrosting

- The refrigerator is made based on the air-cooling principle and thus has automatic defrosting function. Frost formed due to change of season or temperature may also be manually removed by disconnection of the appliance from power supply or by wiping with a dry towel.

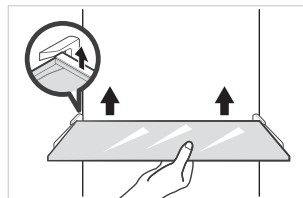
## Cleaning of door tray

- According to the direction arrow in the figure below, use both hands to squeeze the tray, and push it upward, then you can take it out.
- After washing the tray having been taken out, you can adjust its installing height in accordance with your requirement.



## Cleaning of glass shelf

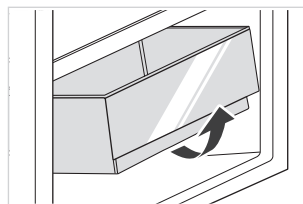
- As the innermost part of the refrigerator liner where contacting the shelves has a backstop, you shall raise the shelves upward, then you can be able to take it out.
- Adjust or clean the shelves according to your requirement.



EN

## Cleaning the fruit and vegetable box

1. Remove the contents of the drawer. Hold the handle of the vegetable drawer and pull it out completely until it stops.
2. Lift the vegetable drawer up and remove it by pulling it out.



### ● ATTENTION

Soft towels or sponge dipped in water and non-corrosive neutral detergents are suggested for cleaning. The freezer shall be finally cleaned with clean water and dry cloth. Open the door for natural drying before the power is turned on. Do not use hard brushes, clean steel balls, wire brushes, abrasives, such as toothpastes, organic solvents (such as alcohol, acetone, banana oil, etc.), boiling water, acid or alkaline items clean refrigerator considering that this may damage the fridge surface and interior.



## Stop using

### Power failure:

In case of power failure, even if it is in summer, foods inside the appliance can be kept for several hours; during the power failure, the times of door opening shall be reduced, and no more fresh food shall be put into the appliance.

### Long-time nonuse:

The appliance shall be unplugged and then cleaned; then the doors are left open to prevent odor.

### Moving:

Before the refrigerator is moved, take all objects inside out, fix the glass partitions, vegetable holder, freezing chamber drawers and etc. with tape, and tighten the leveling feet; close the doors and seal them with tape. During moving, the appliance shall not be laid upside down or horizontally, or be vibrated; the inclination during movement shall be no more than 45°.

### ATTENTION

The appliance shall run continuously once it is started. Generally, the operation of the appliance shall not be interrupted; otherwise the service life may be impaired. Foods can be preserved for a couple of hours even in summer in case of power failure; it is recommended to reduce the frequency of opening door.

EN

# TROUBLESHOOTING

The following simple issues can be handled by the user. Please call the after-sale service department if the issues are not solved.

Problem	Possible reason
Failed operation	• Check whether the appliance is connected to power or whether the plug is in well contact
	• Check whether the voltage is too low
	• Check whether there is a power failure or partial circuits have tripped
Odor	• Odorous foods shall be tightly wrapped
	• Check whether there is any rotten food
	• Clean the inside of the refrigerator
Long-time operation of the compressor	• Long operation of the refrigerator is normal in summer
	• When the ambient temperature is high it is not suggestible having too much food in the appliance at the same time
	• Food shall get cool before being put into the appliance
	• The doors are opened too frequently
Light fails to get lit	• Check whether the refrigerator is connected to power supply and whether the illuminating light is damaged
	• Have the light replaced by a specialist
Door can not be properly closed	• The door is stuck by food packages.
	• Too much food is placed
	• The refrigerator is tilted
Loud noises	• Check whether the floor is level and whether the refrigerator is placed stably
	• Check whether accessories are placed at proper locations

EN

Problem	Possible reason
Door seal fails to be tight	<ul style="list-style-type: none"> <li>• Remove foreign matters on the door seal</li> <li>• Heat the door seal and then cool it for restoration (or blow it with an electrical drier or use a hot towel for heating)</li> </ul>
Water pan overflows	<ul style="list-style-type: none"> <li>• There is too much food in the chamber or food stored contains too much water,resulting in heavy defrosting</li> <li>• The doors are not closed properly, resulting in frosting due to entry of air and increased water due to defrosting</li> </ul>
Hot housing	<ul style="list-style-type: none"> <li>• Heat dissipation of the built-in condenser via the housing, which is normal when housing becomes hot due to high ambient temperature, storage of too much food or shutdown of the compressor is shut down, provide sound ventilation to facilitate heat dissipation</li> </ul>
Surface condensation	<ul style="list-style-type: none"> <li>• Condensation on the exterior surface and door seals of the refrigerator is normal when the ambient humidity is too high. Just wipe the condensate with a clean towel.</li> </ul>
Abnormal noise	<ul style="list-style-type: none"> <li>• Buzz: The compressor may produce buzzes during operation, and the buzzes are loud particularly upon start or stop. This is normal.</li> <li>• Creak: Refrigerant flowing inside of the appliance may produce creak, which is normal.</li> </ul>

EN

**Extension gratuite  
de 3 mois de la période  
de garantie limitée initiale!\***  
Envoyez simplement une  
photo de votre preuve d'achat  
par message texte au :

**1-844-224-1614**

\*L'extension de garantie porte sur les trois mois  
suivant immédiatement  
la fin de la période de garantie initiale du produit.  
Les particuliers n'ont pas besoin d'enregistrer le  
produit pour obtenir tous les droits et recours des  
propriétaires enregistrés en vertu de la garantie  
limitée d'origine.

## LETTRE DE REMERCIEMENT

Merci d'avoir choisi Midea ! Avant d'utiliser votre nouveau produit Midea, veuillez lire attentivement ce manuel afin de vous assurer que vous savez comment utiliser les caractéristiques et fonctions de votre nouvel appareil en toute sécurité.

# TABLE DES MATIÈRES

LETTRE DE REMERCIEMENT.....	01
SPÉCIFICATIONS.....	02
GÉNÉRALITÉS DU PRODUIT .....	03
INSTALLATION DU PRODUIT .....	04
INSTRUCTIONS D'OPÉRATION .....	11
NETTOYAGE ET ENTRETIEN.....	14
DÉPANNAGE .....	16

FR

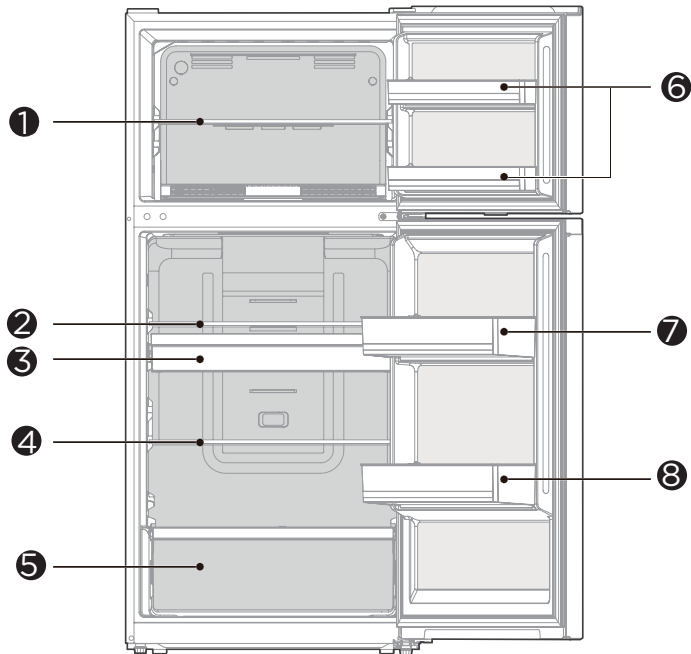
# SPÉCIFICATIONS

Modèle du produit	MRT14B3AWW
Volume de stockage total	14,2 pieds cubes
Tension nominale	115V~/60Hz
Courant nominal	1,2A
Dimension globale (L x H x P)	60,6 pouces x 27,6 pouces x 28,8 pouces

FR

# GÉNÉRALITÉS DU PRODUIT

## Noms des composants



FR

- |   |                                     |   |                                     |
|---|-------------------------------------|---|-------------------------------------|
| 1 | Étagère en verre du congélateur     | 5 | Boîte des fruits et légumes         |
| 2 | Étagère en verre du réfrigérateur 1 | 6 | Plateaux de porte du congélateur    |
| 3 | Plateau                             | 7 | Plateau de porte du réfrigérateur 1 |
| 4 | Étagère en verre du réfrigérateur 2 | 8 | Plateau de porte du réfrigérateur 2 |

### ● ATTENTION

La figure ci-dessus est seulement à titre indicatif. La configuration réelle dépendra du produit physique ou de la déclaration du distributeur.

Si le réfrigérateur est mis sous tension pour la première fois, le fait de stocker trop d'aliments peut nuire à l'effet de refroidissement du réfrigérateur.

Ne bloquez pas la sortie d'air pendant le stockage des aliments, ce qui pourrait nuire à l'effet de refroidissement.

Si la température dans le compartiment réfrigérateur est froide, veuillez régler le commutateur sur la position la plus faible. Si la température dans le compartiment réfrigérateur n'est pas assez froide, veuillez régler le commutateur sur la position forte.

# INSTALLATION DU PRODUIT

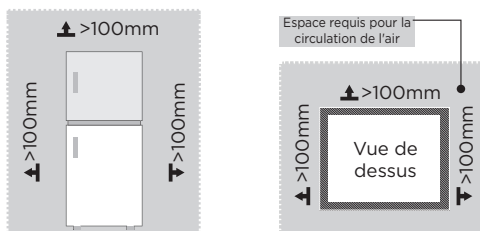
## Instructions d'installation

### Trouver un emplacement approprié

- Ce réfrigérateur est conçu pour être posé librement et ne doit pas être encastré.
- Le réfrigérateur doit être placé dans un endroit intérieur et bien ventilé ; le sol doit être plat et solide.
- Tenez à l'écart de la chaleur et évitez la lumière directe du soleil. Ne placez pas le réfrigérateur dans les endroits humides ou mouillés pour éviter la rouille ou la réduction de l'effet isolant.

### Dimensions et dégagements

- Une distance trop faible par rapport aux éléments adjacents peut entraîner une dégradation de la capacité de congélation et une augmentation des coûts d'électricité. Prévoyez plus de 100mm de dégagement par rapport à chaque mur adjacent lors de l'installation de l'appareil.



FR

### Fournir une alimentation électrique appropriée

- Vérifiez votre source d'alimentation locale. Ce réfrigérateur nécessite une alimentation électrique **115V CA, 60 Hz**.
- Utilisez un réceptacle qui accepte la broche de mise à la terre. Le câble d'alimentation est équipé d'une fiche à 3 broches (mise à la terre) qui s'adapte à une prise murale standard à 3 broches (mise à la terre) afin de minimiser les risques de chocs électriques causés par ce réfrigérateur.

## ATTENTION

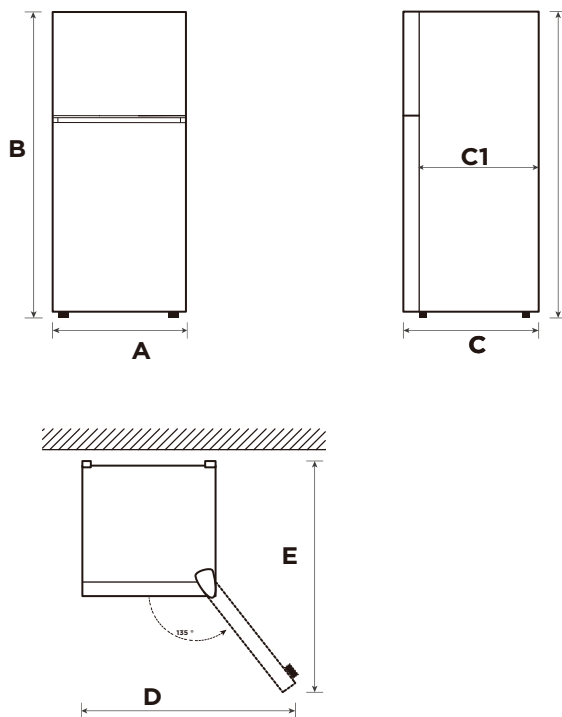
Le réfrigérateur doit toujours être branché sur sa propre prise électrique individuelle dont la tension correspond à celle de la plaque signalétique. Ne débranchez jamais le réfrigérateur en tirant sur le câble d'alimentation. Saisissez toujours fermement la fiche et retirez-la directement de la prise.

### Commencer à utiliser

- Au premier démarrage, le réfrigérateur doit rester 2 heures avant d'être branché à l'alimentation.
- Le réfrigérateur doit fonctionner pendant 2 à 3 heures avant de charger des aliments frais ou surgelés ; le réfrigérateur doit fonctionner pendant plus de 4 heures en été à l'avance étant donné que la température ambiante est élevée.



Schéma de l'espace requis (lorsque la porte est ouverte et lorsque la porte est fermée)



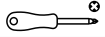

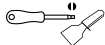


FR

Largeur	Hauteur totale	Profondeur	Profondeur de l'armoire seulement	Largeur avec portes ouvertes à 135°	Profondeur avec portes ouvertes à 135°
A	B	C	C1	D	E
700	1540	731	650	1085	1310

Remarque : Toutes les dimensions sont en mm

## Changement de porte droite-gauche

### Liste des outils à fournir par l'utilisateur

	Tournevis cruciforme
	Clé Allen
	Couteau à mastic Tournevis à lame fine
	5/16' douille et cliquet
	Ruban de masquage

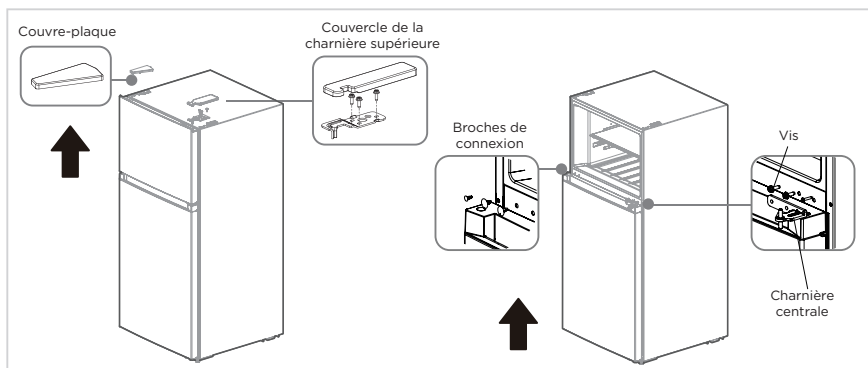
### Pièces à utiliser pour l'inversion des portes

N°	Pièces	Quantité	Notes
1	Charnière supérieure	1	Pré-installés sur la boîte et à utiliser lors du changement de porte
2	Couvercle de charnière supérieur	1	
3	Manchon d'arbre de charnière supérieur	1	
4	Vis de la charnière supérieure	3	
5	Couvercle de trou	1	
6	Vis de la charnière du milieu	2	
7	Charnière centrale	1	
8	Bouchon de trou	2	
9	Pied réglable	1	
10	Vis de seuil central	2	
11	Capuchon de la vis de seuil central	1	
12	Vis de la charnière inférieure	3	
13	Charnière inférieure	1	
14	Butoir	2	
15	Vis d'arrêt	2	
16	Autobloquant de porte droite	2	Préinstallés sur le corps de la porte, retirés lors du changement de la porte, et conservés
17	Autobloquant de porte gauche	2	Mettez-les dans le sac d'accessoires et utilisez-les pour changer la porte
18	Vis autobloquante	2	Pré-installés sur la porte et à utiliser lors du changement de porte
19	Bouchon de trou	1	

FR

### Étape

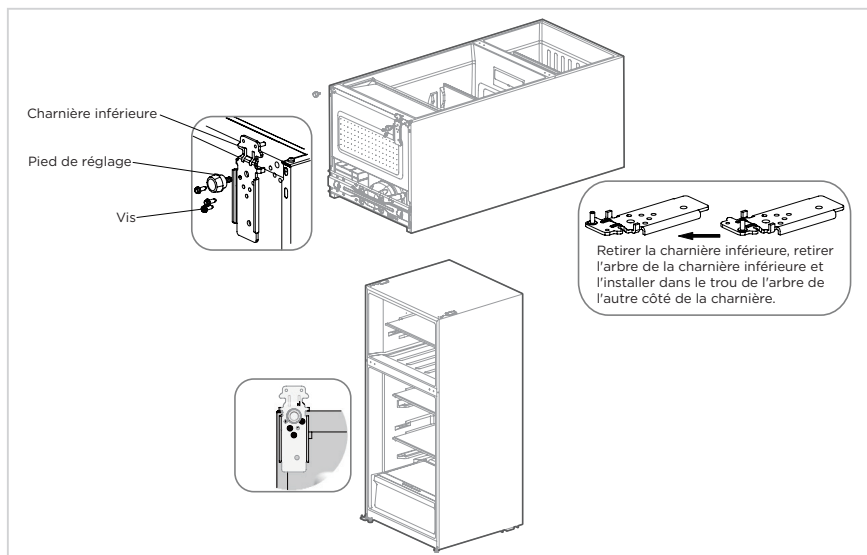
1. Débrancher votre réfrigérateur et retirer tous les aliments dans le réfrigérateur.
2. Retirer le couvercle de la charnière supérieure, les vis et la charnière supérieure en haut de l'armoire, ainsi que le couvre-plaque à gauche ; sortir la porte de congélation vers le haut.
3. Dévisser les vis des charnières, retirer la charnière centrale, retirer les broches d'obturation et retirer la porte de réfrigération vers le haut.



### ● ATTENTION

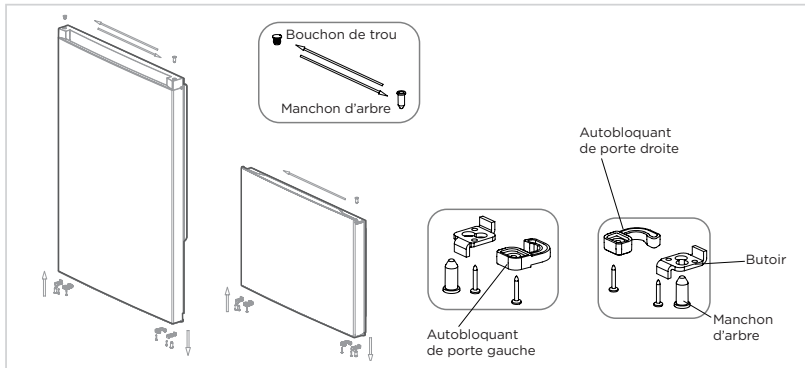
Les images montrent un réfrigérateur qui s'ouvre sur le côté gauche. Votre réfrigérateur peut s'ouvrir sur le côté droit.

4. Poser le réfrigérateur, dévisser la vis de la charnière inférieure et le pied de réglage, retirer la charnière inférieure, retirer l'arbre de la charnière inférieure et installer dans le trou de l'arbre de l'autre côté de la charnière.
5. Installer la charnière inférieure et serrer les vis sur le côté gauche du réfrigérateur, installer deux pieds de réglage et redresser le réfrigérateur.

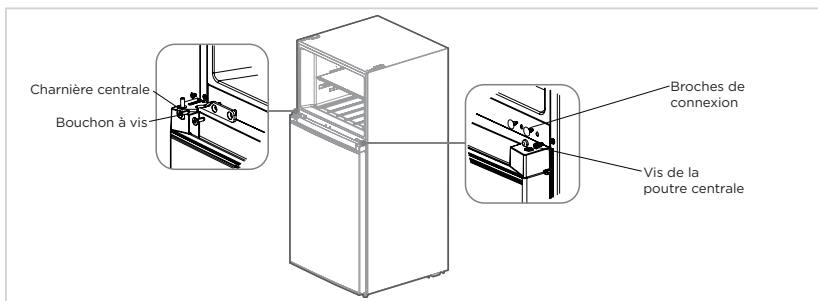


FR

6. Dévisser et retirer les manchons d'arbre, le bouchon et les vis autobloquantes de la porte droite des deux corps de porte, sortir l'autobloquante de la porte gauche du sac d'accessoires et installer dans le coin gauche du corps de porte avec le bouchon et les douilles d'arbre. Retirer le bouchon et le manchon d'arbre de la partie supérieure de la porte de réfrigération et ajuster leur position avant de les installer dans le corps de la porte. Retirer le manchon d'arbre de la porte de congélation et l'installer de l'autre côté.

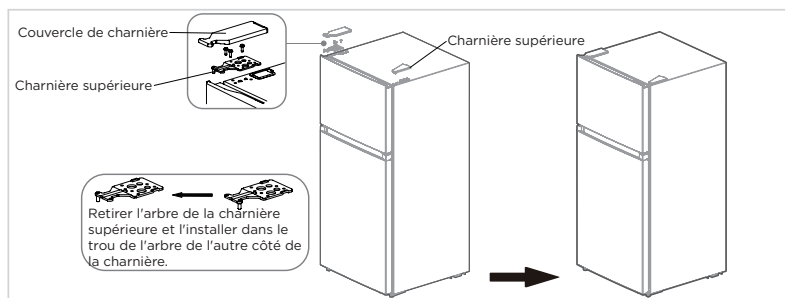


7. Installer la porte de réfrigération sur la charnière inférieure, installer les vis de la poutre centrale, la charnière du milieu et serrer les vis sur le côté gauche, et couvrir les goupilles d'obturation, les vis de la poutre centrale et les capuchons de vis sur le côté droit.



FR

8. Installer la porte de congélation sur la charnière centrale, retirer l'arbre de la charnière supérieure et l'installer dans le trou de l'arbre de l'autre côté de la charnière, installer la charnière supérieure et serrer les vis, et installer le couvercle de la charnière supérieure et le couvercle du trou droit.
9. Le changement de porte est terminé.



**ATTENTION**

La figure ci-dessus est seulement à titre indicatif. La configuration réelle dépendra du produit physique ou de la déclaration du distributeur.



## Pied de nivellement

Pour éviter les vibrations, l'appareil doit être mis à niveau.

Si nécessaire, ajustez les vis de mise à niveau pour compenser les inégalités du sol.

L'avant doit être légèrement plus haut que l'arrière pour faciliter la fermeture de la porte.

Les vis de mise à niveau peuvent être tournées facilement en inclinant légèrement l'armoire.

Tournez les vis de mise à niveau dans le sens inverse des aiguilles d'une montre  pour relever l'appareil et dans le sens des aiguilles d'une montre  pour l'abaisser.

## Déplacement de l'appareil

1. Retirez tous les aliments de l'intérieur de l'appareil.
2. Retirez la fiche d'alimentation, insérez-la et fixez-la dans le crochet de la fiche d'alimentation à l'arrière ou sur le dessus de l'appareil.
3. Fixez avec du ruban adhésif les pièces telles que les étagères et la poignée de la porte pour éviter qu'elles ne tombent lors du déplacement de l'appareil.
4. Déplacez l'appareil avec plus de deux personnes avec précaution. Lorsque vous transportez l'appareil sur une longue distance, maintenez-le en position verticale.
5. Après avoir installé l'appareil, branchez la fiche d'alimentation dans une prise de courant pour mettre l'appareil en marche.

FR

### ATTENTION

Précautions avant l'opération :

Avant d'effectuer des modifications, le réfrigérateur doit être débranché de l'alimentation électrique.

Des précautions doivent être prises pour éviter toute blessure corporelle.

## Changement de la lampe

- Tout remplacement ou entretien des lampes LED doit être effectué par le fabricant, son agent de service ou une personne qualifiée similaire.

## Raccordement de l'appareil

Après avoir installé l'appareil, branchez la fiche d'alimentation dans une prise de courant.

### ATTENTION

Après avoir branché le câble d'alimentation (ou la fiche) à la prise de courant, attendez 2 ou 3 heures avant de mettre des aliments dans l'appareil. Si vous ajoutez des aliments avant que l'appareil ait complètement refroidi, vos aliments risquent de se gâter.

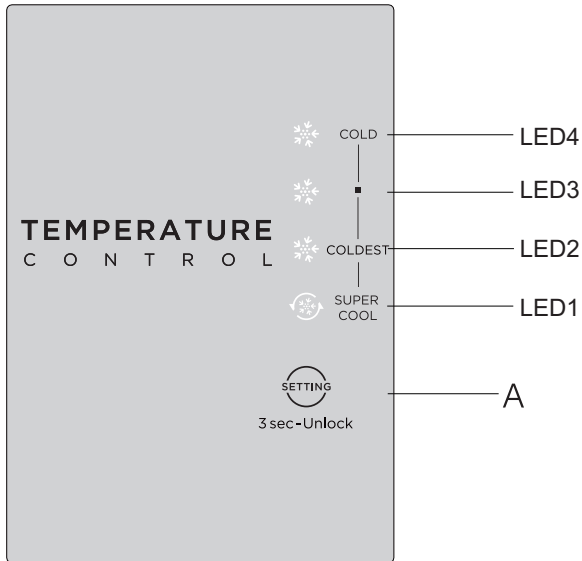
## Conseils pour économiser l'énergie

- Ne placez pas l'appareil à proximité de cuisinières, de radiateurs ou d'autres sources de chaleur. Si la température ambiante est élevée, le compresseur fonctionnera plus fréquemment et plus longtemps, ce qui entraînera une augmentation de la consommation d'énergie.
- Assurez-vous que la ventilation est suffisante à la base de l'appareil, sur les côtés de l'appareil et à l'arrière de l'appareil. Ne couvrez jamais les ouvertures de ventilation.
- Respectez également les dimensions d'espacement indiquées dans le chapitre « Installation ».
- La disposition des tiroirs, des étagères et des casiers telle qu'elle figure sur l'illustration offre l'utilisation la plus efficace de l'énergie et doit donc être conservée autant que possible. Tous les tiroirs et toutes les étagères doivent rester dans l'appareil pour maintenir la température stable et économiser de l'énergie.
- Pour obtenir un espace de stockage plus grand (par exemple, pour les produits réfrigérés/congelés de grande taille), les tiroirs du milieu peuvent être retirés. Les tiroirs et les étagères du haut et du bas doivent être retirés en dernier si nécessaire.
- Un compartiment réfrigérateur/congélateur uniformément rempli contribue à une utilisation optimale de l'énergie. Par conséquent, évitez les compartiments vides ou à moitié vides.
- Laissez refroidir les aliments chauds avant de les placer dans le réfrigérateur/congélateur. Les aliments qui ont déjà refroidi augmentent l'efficacité énergétique.
- Laissez les aliments congelés décongeler dans le réfrigérateur. Le froid des aliments congelés réduit la consommation d'énergie dans le compartiment réfrigérateur et augmente ainsi l'efficacité énergétique.
- Ouvrez la porte aussi brièvement que nécessaire pour minimiser les pertes de froid. Ouvrez brièvement la porte et refermez-la correctement réduit la consommation d'énergie.
- Les joints de porte de votre appareil doivent être parfaitement intacts afin que les portes se ferment correctement et que la consommation d'énergie n'augmente pas inutilement.

FR

# INSTRUCTIONS D'OPÉRATION

## Panneau de commande



FR

Bouton	
A	Bouton Setting (Réglage)

Écran d'affichage	
LED4	FROID
LED3	■
LED2	LE PLUS FROID
LED1	SUPER FROID

### ● ATTENTION

Le panneau de commande réel peut différer d'un modèle à l'autre.

## Instructions d'opération

### Réglage de la température

- Chaque fois que l'on appuie une fois sur le bouton de réglage de la température A, le réglage de la température change une fois. Une fois le réglage de la température terminé, le réfrigérateur fonctionnera selon la valeur de consigne au bout de 15s.
- Lorsque le mode SUPER RÉFRIGÉRATION est activé, le réfrigérateur fonctionne à sa capacité maximale pour atteindre plus rapidement le réglage le plus froid et durer le plus longtemps pendant 6 heures.

Le règlement de commutation est :



Remarque : La température de chaque engrenage se situe à 32 de la température de consigne, et la situation réelle est légèrement différente en fonction de la situation de charge.

### Indication de défaut

- Lorsque vous allumez le réfrigérateur pour la première fois, l'écran d'affichage brille complètement pendant 3 secondes, puis le réfrigérateur fonctionne selon le niveau le plus froid. En cas de panne, la LED correspondante clignote. En cas d'absence de panne, il indique le réglage de la température du réfrigérateur.

FR

Code de défaut	Description de défaut
LED1/LED2 clignotent	Défaut du capteur de température du réfrigérateur
LED1/LED3 clignotent	Défauts du capteur de gel du congélateur
LED1/LED4 clignotent	Panne du capteur de température ambiante

### Verrouillage/déverrouillage

- Lorsque le panneau de contrôle de la température est en état de verrouillage, il faut appuyer longtemps sur le bouton de réglage de la température pendant 3 secondes pour déverrouiller le panneau, toutes les LEDs clignotent pendant 2 secondes lorsque le panneau est déverrouillé. Lorsque le panneau de contrôle de la température est en état de déverrouillage, s'il n'y a aucune opération sur le panneau de contrôle dans les 15 secondes, il entrera automatiquement en état de verrouillage.



## Conseils pour conserver les aliments

### Compartiment congélateur

- Le congélateur est désigné pour le stockage d'aliments congelés à très basse température, le stockage à long terme d'aliments congelés et pour la production de glace.
- N'utilisez les étagères de la porte du congélateur que pour stocker des aliments congelés, et non pour stocker des aliments chauds désignés pour la congélation.
- Ne mettez pas les aliments frais et congelés les uns à côté des autres. Les aliments congelés peuvent décongeler.
- Lorsque vous congelez des aliments frais (tels que de la viande, du poisson ou de la viande hachée), coupez-les en parties pouvant être utilisées en même temps.
- Conservation des aliments surgelés : des instructions sont généralement indiquées sur les emballages, qui doivent être respectées. En l'absence d'informations sur l'emballage, les aliments ne doivent pas être conservés plus de trois mois à compter de la date d'achat.
- Lorsque vous achetez des aliments congelés, assurez-vous qu'ils ont été congelés à une température appropriée et que l'emballage n'est pas endommagé.
- Les aliments congelés doivent être conservés dans des emballages appropriés pour en préserver la qualité et doivent être replacés dans le compartiment congélateur dès que possible.
- Si un emballage d'aliments surgelés présente de l'humidité ou un renflement anormal, il est probable qu'il a été conservé à une température inadaptée et que son contenu est avarié.
- La durée de conservation des aliments congelés dépend de la température ambiante, du réglage du thermostat, de la fréquence d'ouverture de la porte du congélateur, du type d'aliment et du temps de transport du produit du magasin au foyer.

Suivez toujours les instructions imprimées sur l'emballage et ne dépassez jamais la durée maximale de stockage indiquée sur l'emballage.

FR

### Compartiment réfrigérateur

- Pour réduire l'humidité et l'accumulation subséquente de glace, ne mettez jamais de liquide dans le réfrigérateur dans des récipients non scellés. Le givre a tendance à se concentrer dans les parties les plus froides de l'évaporateur. Le stockage de liquides non couverts entraîne un besoin plus fréquent de dégivrage.
- Ne mettez jamais d'aliments chauds dans le réfrigérateur. Ceux-ci doivent d'abord refroidir à température ambiante, puis être placés de manière à assurer une circulation d'air adéquate dans le réfrigérateur.
- Les aliments ou les récipients alimentaires ne doivent pas toucher la paroi arrière du réfrigérateur car ils pourraient geler sur la paroi. Ne continuez pas à ouvrir régulièrement la porte du réfrigérateur.
- La viande et le poisson propre (emballé dans un paquet ou une feuille de plastique) peuvent être placés dans le réfrigérateur, ce qui peut être utilisé en 1 à 2 jours.
- Les fruits et légumes sans emballage peuvent être placés dans la partie prévue pour les fruits et légumes frais.

### ATTENTION

Le réglage de la température optimale de chaque compartiment dépend de la température ambiante. La température optimale ci-dessus est basée sur une température ambiante de 25°C.

Le stockage d'une trop grande quantité d'aliments pendant le fonctionnement après la première mise sous tension peut nuire à l'effet de congélation du réfrigérateur. Les aliments stockés ne doivent pas bloquer la sortie d'air ; sinon, l'effet de congélation sera également affecté.

Lorsque les boissons sont conservées à la température la plus froide, les fruits et les légumes à l'intérieur risquent de geler ; si la température la plus froide est très basse, réglez le réfrigérateur sur une température moins élevée.

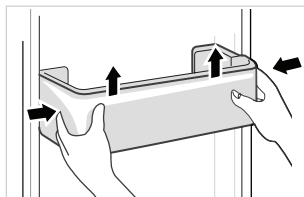
# NETTOYAGE ET ENTRETIEN

## Dégivrage

- Le réfrigérateur est fabriqué selon le principe du refroidissement par air et dispose donc d'une fonction de dégivrage automatique. Le givre formé en raison d'un changement de saison ou de température peut également être enlevé manuellement en débranchant l'appareil de l'alimentation électrique ou en l'essuyant avec une serviette sèche.

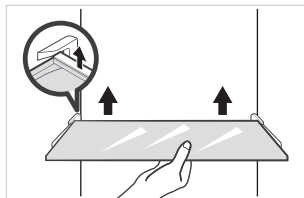
## Nettoyage du plateau de la porte

- Selon la flèche de direction de la figure ci-dessous, utilisez les deux mains pour presser le plateau, et poussez-le vers le haut, puis vous pouvez le retirer.
- Après avoir lavé le plateau qui a été retiré, vous pouvez ajuster sa hauteur d'installation en fonction de vos besoins.



## Nettoyage de l'étagère en verre

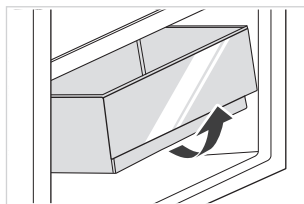
- Comme la partie la plus intérieure du revêtement du réfrigérateur, où se trouve le contact avec les étagères, est dotée d'une butée, vous devez soulever les étagères vers le haut pour pouvoir en sortir.
- Ajustez ou nettoyez les étagères en fonction de vos besoins.



FR

## Nettoyage de la boîte de fruits et légumes

1. Retirez le contenu du tiroir. Tenez la poignée du tiroir à légumes et tirez-le complètement jusqu'à ce qu'il s'arrête.
2. Soulevez le tiroir à légumes et retirez-le en le tirant vers l'extérieur.



### ● ATTENTION

Il est conseillé d'utiliser des serviettes douces ou une éponge trempée dans de l'eau et des détergents neutres non corrosifs pour le nettoyage. Le congélateur doit être nettoyé à l'intérieur avec de l'eau propre et un chiffon sec. Ouvrez la porte pour un séchage naturel avant la mise sous tension. N'utilisez pas de brosses dures, de billes d'acier propres, de brosses métalliques, d'abrasifs tels que les dentifrices, de solvants organiques (tels que l'alcool, l'acétone, l'huile de banane, etc.), d'eau bouillante, d'éléments acides ou alcalins ; nettoyez le réfrigérateur en considérant que cela peut endommager la surface et l'intérieur du réfrigérateur.

## Ne plus utiliser

### Coupure d'électricité :

En cas de panne de courant, même si en été, les aliments à l'intérieur de l'appareil peuvent être conservés pendant plusieurs heures ; pendant la panne de courant, les temps d'ouverture de la porte sont réduits, et plus aucun aliment frais ne doit être mis dans l'appareil.

### Non utilisation pendant une longue durée :

L'appareil doit être débranché puis nettoyé ; les portes sont alors laissées ouvertes pour éviter les odeurs.

### Déplacement :

Avant de déplacer le réfrigérateur, retournez tous les objets, fixez les cloisons vitrées, le porte-légumes, les tiroirs du compartiment congélateur, etc. avec du ruban adhésif, et serrez les pieds de nivellement ; fermez les portes et fixez-les avec du ruban adhésif. Pendant le déplacement, l'appareil ne doit pas être placé à l'envers ou à l'horizontale, ni être soumis à des vibrations ; l'inclinaison pendant le déplacement ne doit pas dépasser 45°.

### ATTENTION

L'appareil doit fonctionner en continu une fois démarré. En général, le fonctionnement de l'appareil ne doit pas être interrompu, faute de quoi sa durée de vie peut être réduite.

Les aliments peuvent être conservés pendant quelques heures même en été en cas de panne de courant ; il est recommandé de réduire la fréquence d'ouverture de la porte.

FR

# DÉPANNAGE

Les utilisateurs peuvent résoudre les problèmes simples suivants. Veuillez appeler le service après-vente si les problèmes ne sont pas résolus.

Problème	Raison possible
Échec de l'opération	• Vérifiez si l'appareil est branché à l'alimentation ou si la fiche est bien en contact
	• Vérifiez si la tension est trop basse
	• Vérifiez s'il y a une panne de courant ou si des circuits partiels se sont déclenchés
Odeur	• Les aliments odorants doivent être emballés hermétiquement
	• Vérifiez s'il y a des aliments pourris
	• Nettoyez l'intérieur du réfrigérateur
Fonctionnement à long terme du compresseur	• Le fonctionnement prolongé du réfrigérateur est normal en été
	• Lorsque la température ambiante est élevée, il n'est pas souhaitable d'avoir trop d'aliments dans l'appareil en même temps
	• Les aliments doivent être refroidis avant d'être mis dans l'appareil
	• Les portes sont ouvertes trop fréquemment
La lumière ne s'allume pas	• Vérifiez si le réfrigérateur est branché sur l'alimentation électrique et si la lampe d'éclairage est endommagée
	• Faites remplacer la lumière par un spécialiste
La porte ne peut pas être correctement fermée	• La porte du réfrigérateur est bloquée par des emballages alimentaires.
	• Trop de nourriture est placée
	• Le réfrigérateur est incliné
Bruits forts	• Vérifiez si le sol est de niveau et si le réfrigérateur est placé de manière stable
	• Vérifiez si les accessoires sont placés aux bons endroits

FR

Problème	Raison possible
Le joint de porte n'est pas étanche	<ul style="list-style-type: none"> <li>• Enlevez les matières étrangères sur le joint de la porte</li> <li>• Chauffez le joint d'étanchéité de la porte, puis refroidissez-le pour le restaurer (ou soufflez-le avec un séchoir électrique ou utilisez une serviette chaude pour le chauffage)</li> </ul>
Débordement de l'eau dans le bac d'eau	<ul style="list-style-type: none"> <li>• Il y a trop de nourriture dans le compartiment ou la nourriture stockée contient trop d'eau, ce qui entraîne une décongélation importante</li> <li>• Les portes ne sont pas correctement fermées, ce qui entraîne un givrage dû à l'entrée d'air et une augmentation de l'eau due au dégivrage</li> </ul>
Boîtier chaud	<ul style="list-style-type: none"> <li>• La dissipation de la chaleur du condenseur intégré par le boîtier est normale. Lorsque le boîtier devient chaud en raison d'une température ambiante élevée, du stockage d'une trop grande quantité de nourriture ou de l'arrêt du compresseur, prévoir une bonne ventilation pour faciliter la dissipation de la chaleur</li> </ul>
Condensation de surface	<ul style="list-style-type: none"> <li>• La condensation sur la surface extérieure et les joints de porte du réfrigérateur est normale lorsque l'humidité ambiante est trop élevée Il suffit d'essuyer le condensat avec une serviette propre.</li> </ul>
Bruit anormal	<ul style="list-style-type: none"> <li>• Bourdonnement : Le compresseur peut produire des bourdonnements pendant son fonctionnement, et ces bourdonnements sont particulièrement forts au démarrage ou à l'arrêt. C'est normal.</li> <li>• Grincement : Le réfrigérant qui circule à l'intérieur de l'appareil peut produire un grincement, ce qui est normal.</li> </ul>

FR

**¡Extensión gratuita  
de 3 meses del período  
original de la garantía  
limitada!\*** Simplemente envíe  
una foto de su comprobante  
de compra al:

**1-844-224-1614**

\*La extensión de la garantía es por los tres meses inmediatamente posteriores a la finalización del período de la garantía original del producto.

No es necesario que las personas registren el producto para obtener todos los derechos y recursos de los propietarios registrados en virtud de la garantía limitada original.

## CARTA DE AGRADECIMIENTO

¡Gracias por elegir Midea! Antes de usar su nuevo producto de Midea, lea detenidamente este manual para asegurarse de que sabe cómo operar las características y funciones que le ofrece su nuevo electrodoméstico de manera segura.

# CONTENIDOS

CARTA DE AGRADECIMIENTO .....	01
ESPECIFICACIONES .....	02
DESCRIPCIÓN DEL PRODUCTO .....	03
INSTALACIÓN DEL PRODUCTO .....	04
INSTRUCCIONES DE OPERACIÓN .....	11
LIMPIEZA Y MANTENIMIENTO .....	14
SOLUCIÓN DE PROBLEMAS .....	16

ES

# ESPECIFICACIONES

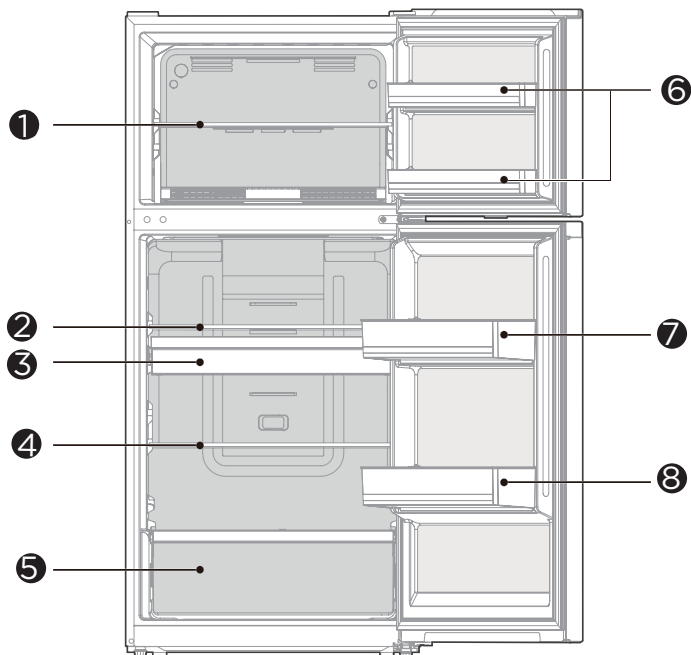
<b>Modelo del producto</b>	<b>MRT14B3AWW</b>
Volumen Total de Almacenamiento	14,2 pies cúbicos
Voltaje Nominal	115V~/60Hz
Corriente Nominal	1,2A
Dimensión general (Al x An x Pr)	60,6 pulg. x 27,6 pulg. x 28,8 pulg.

ES



# DESCRIPCIÓN DEL PRODUCTO

## Nombres de los componentes



ES

- |   |                                     |   |  |
|---|-------------------------------------|---|--|
| 1 | Estante de vidrio de congelador     | 5 | Caja de frutas y vegetales             |
| 2 | Estante de vidrio de refrigerador 1 | 6 | Bandejas de puerta de congelador       |
| 3 | Bandeja                             | 7 | Bandeja de la puerta de refrigerador 1 |
| 4 | Estante de vidrio de refrigerador 2 | 8 | Bandeja de la puerta de refrigerador 2 |

### ● ATENCIÓN

La figura anterior es solo para referencia. La configuración real dependerá del producto físico o la declaración del distribuidor.

Cuando el refrigerador está encendido por primera vez, almacenar demasiados alimentos puede afectar negativamente el efecto de refrigeración del refrigerador.

No bloquee la salida de aire durante el almacenamiento de alimentos, lo que puede afectar negativamente el efecto de refrigeración.

Si la temperatura en el compartimiento del refrigerador es baja, ajuste el interruptor a la posición más débil. Si la temperatura en el compartimiento del refrigerador no es lo suficientemente baja, ajuste el interruptor a la posición fuerte.

# INSTALACIÓN DEL PRODUCTO

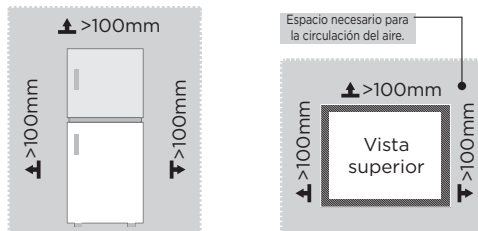
## Instrucciones de Instalación

### Encontrar una ubicación adecuada

- Este refrigerador está diseñado para ser solamente independiente, y no debe estar empotrado o incorporado.
- El refrigerador debe colocarse en un lugar interior bien ventilado; el suelo será plano y firme.
- Mantenga alejado del calor y evite la luz solar directa. No coloque el refrigerador en lugares húmedos o acuosos para evitar la oxidación o la reducción del efecto aislante.

### Dimensiones y limpieza

- Una distancia demasiado pequeña de los elementos adyacentes puede provocar la degradación de la capacidad de congelación y un aumento de los costos de electricidad. Deje más de 100 mm de espacio libre desde cada pared adyacente al instalar el aparato.



ES

### Proporcionar una fuente de alimentación adecuada

- Verifique su fuente de energía local. Este refrigerador requiere una fuente de alimentación de 115 V CA, 60 Hz.
- Use un receptáculo que acepte la clavija de conexión a tierra. El cable de alimentación está equipado con un enchufe de 3 clavijas (conexión a tierra) que se acopla con una toma de corriente estándar de 3 clavijas (conexión a tierra) para minimizar la posibilidad de riesgo de descarga eléctrica de este refrigerador.

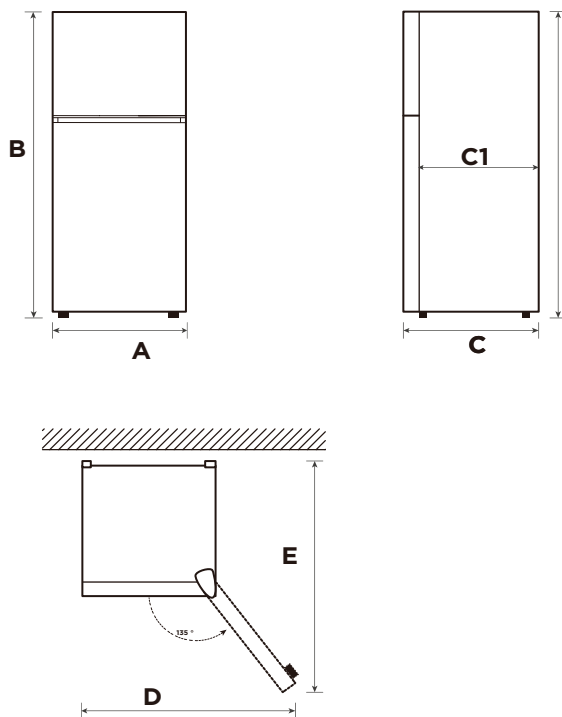
## PRECAUCIÓN

El refrigerador siempre debe enchufarse a su propia toma de corriente individual que tenga una clasificación de voltaje que coincida a la placa de clasificación. Nunca desenchufe su refrigerador tirando del cable de alimentación. Sujete siempre el enchufe con firmeza y sáquelo del tomacorriente.

### Empezar a usar

- El refrigerador debe colocarse durante 2 horas antes de conectar la alimentación cuando se inicia por primera vez.
- El refrigerador deberá funcionar por 2 a 3 horas antes de cargar los alimentos frescos o congelados; el congelador funcionará con antelación durante más de 4 horas en verano, teniendo en cuenta que la temperatura ambiente es alta.

Diagrama de requisitos de espacio (cuando la puerta está abierta y cuando la puerta está cerrada)



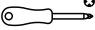

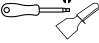
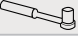

ES

Ancho	Altura General	Profundidad	Profundidad de solo gabinete	Ancho con puertas abiertas de 135°	Profundidad con puertas abiertas de 135°
A	B	C	C1	D	E
700	1540	731	650	1085	1310

Nota: Todas las dimensiones en mm

## Cambio de puertas derecha-izquierda

### Lista de herramientas suministradas por el usuario.

	Destornillador de cruz
	Llave Allen
	Espátula y destornillador de hoja delgada
	Tomacorriente y trinquete de 5/16"
	Cinta adhesiva

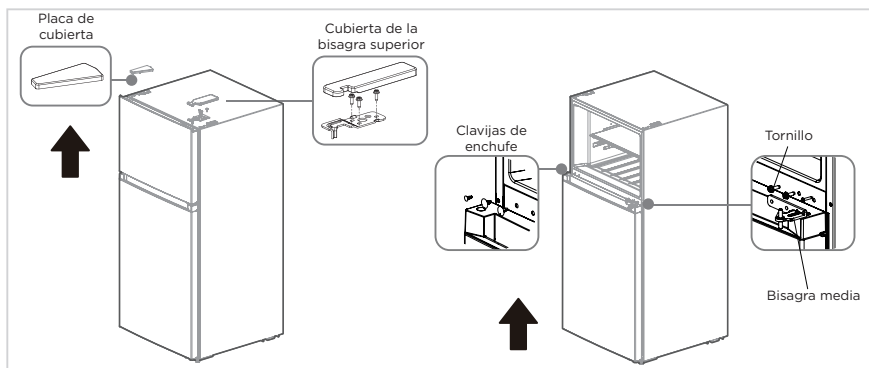
### Piezas a utilizar para la puerta reversa

SN	Partes	Cantidad	Notas
1	Bisagra superior	1	
2	Cubierta de la bisagra superior	1	
3	Manguito del eje de la bisagra superior	1	
4	Tornillo de la bisagra superior	3	
5	Cubierta de orificio	1	
6	Tornillo de la bisagra media	2	Preinstalado en la caja y aún debe usarse al cambiar la puerta
7	Bisagra media	1	
8	Tapón de orificio	2	
9	Pata ajustable	1	
10	Tornillo de umbral central	2	
11	Tapón de rosca central	1	
12	Tornillo de la bisagra inferior	3	
13	Bisagra inferior	1	
14	Tapón	2	
15	Tornillo de tapón	2	
16	Autobloqueo de la puerta derecha	2	Preinstalado en el cuerpo de la puerta, se retira al cambiar la puerta y se conserva
17	Autobloqueo de la puerta izquierda	2	Póngalo en la bolsa de accesorios y utilícelo cuando cambie la puerta.
18	Tornillo autoblocante	2	Preinstalado en la puerta y aún debe usarse al cambiar la puerta
19	Tapón de orificio	1	

ES

### Paso

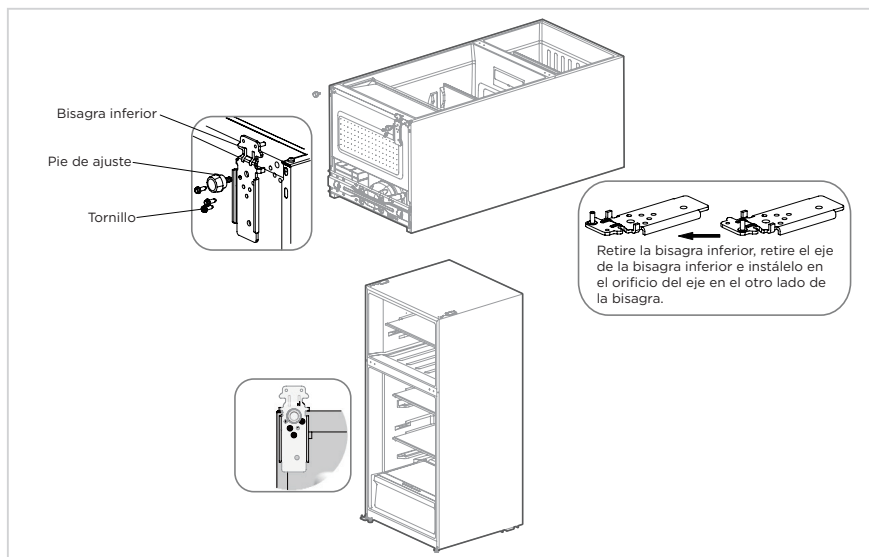
1. Desconecte su refrigerador y quite todas las comidas del refrigerador.
2. Retire la cubierta de la bisagra superior, los tornillos y la bisagra superior en la parte superior del gabinete y la placa de la cubierta a la izquierda; sacar la puerta de congelación hacia arriba.
3. Desatornille los tornillos de la bisagra, retire la bisagra central, retire los pasadores y saque la puerta del refrigerador hacia arriba.



### ● ATENCIÓN

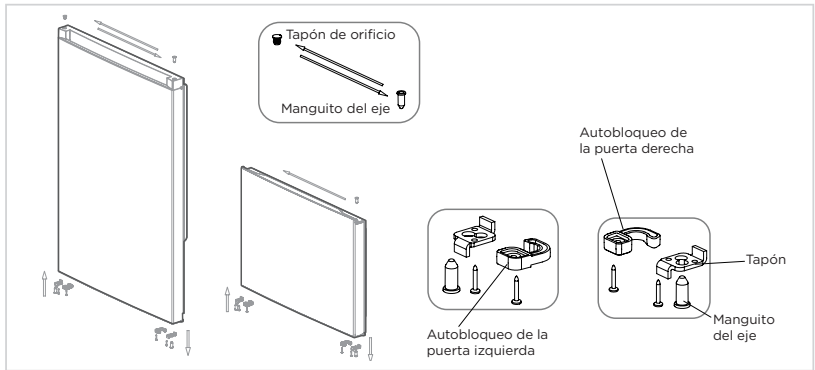
Las imágenes muestran un refrigerador que se abre en el lado izquierdo. Su refrigerador puede abrirse por el lado derecho.

4. Baje el refrigerador, desatornille el tornillo de la bisagra inferior y el pie de ajuste, retire la bisagra inferior, retire el eje de la bisagra inferior e instálelo en el orificio del eje en el otro lado de la bisagra.
5. Instale la bisagra inferior y apriete los tornillos en el lado izquierdo del refrigerador, instale dos patas de ajuste y levante el refrigerador.

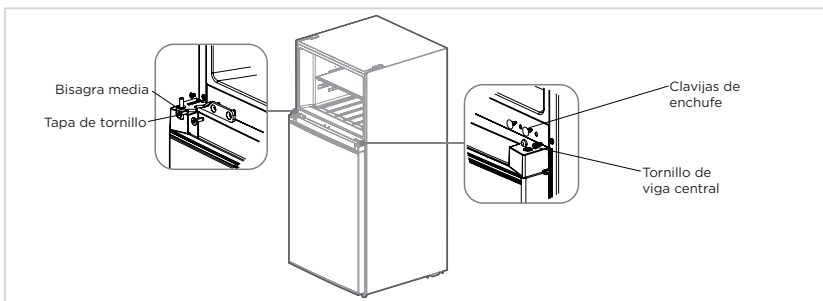


ES

6. Desatornille y retire los manguitos del eje, el tope y los tornillos de autobloqueo de la puerta derecha de los dos cuerpos de la puerta, saque el autobloqueo de la puerta izquierda de la bolsa de accesorios e instálelo en la esquina izquierda del cuerpo de la puerta junto con el tope y manguitos del eje. Retire el tapón del orificio y el manguito del eje en la parte superior de la puerta de refrigeración y ajuste sus posiciones antes de instalarlos en el cuerpo de la puerta. Saque el manguito del eje de la puerta de congelación e instálelo en el otro lado.

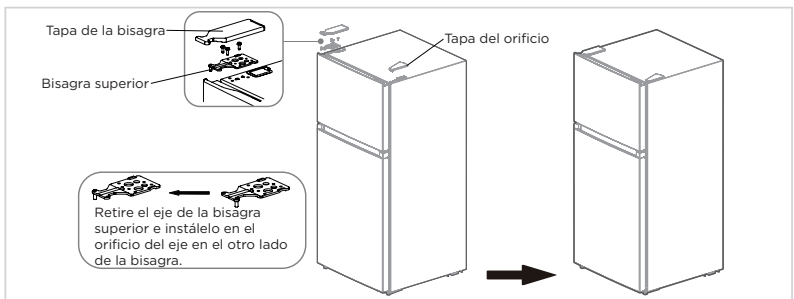


7. Instale la puerta refrigerada en la bisagra inferior, instale los tornillos de la viga central, la bisagra central y apriete los tornillos en el lado izquierdo, y cubra los pasadores, los tornillos de la viga central y las tapas de los tornillos en el lado derecho.



**ES**

8. Instale la puerta de congelación en la bisagra del medio, retire el eje de la bisagra superior e instálelo en el orificio del eje en el otro lado de la bisagra, instale la bisagra superior y apriete los tornillos, e instale la cubierta de la bisagra superior y la cubierta del orificio derecho.
9. El cambio de puerta está completo.



**● ATENCIÓN**



La figura anterior es solo para referencia. La configuración real dependerá del producto físico o la declaración del distribuidor.

## Patas niveladoras

Para evitar vibraciones, la unidad debe estar nivelada.

Si es necesario, ajuste los tornillos de nivelación para compensar el suelo irregular. La parte delantera debe estar un poco más alta que la parte trasera para facilitar el cierre de la puerta.

Los tornillos de nivelación se pueden girar fácilmente inclinando ligeramente el gabinete.

Gire los tornillos de nivelación en el sentido contrario a las agujas del reloj  para elevar la unidad y en el sentido de las agujas del reloj  para bajarla.

## Mover el aparato

1. Retire todos los alimentos del interior del aparato.
2. Extraiga el enchufe de alimentación, insértelo y fíjelo en el gancho del enchufe de alimentación en la parte trasera o en la parte superior del aparato.
3. Pegue piezas como los estantes y la manija de la puerta para evitar que se caigan mientras mueve el aparato.
4. Mueva el aparato con más de dos personas con cuidado. Cuando transporte el aparato a largas distancias, manténgalo en posición vertical.
5. Después de instalar el aparato, conecte el enchufe de alimentación a una toma de corriente para encender el aparato.

### ATENCIÓN

Precauciones antes de operación:

Antes de realizar cambios, el refrigerador debe estar desconectado de la alimentación.

Se deben tomar precauciones para evitar lesiones personales.

ES

## Cambiar la luz

- Cualquier reemplazo o mantenimiento de las lámparas LED debe ser llevado a cabo por el fabricante, su agente de servicio o persona calificada similar.

## Conectar el aparato

Después de instalar el aparato, conecte el enchufe de alimentación a una toma de corriente.

### ATENCIÓN

Después de conectar el cable de alimentación (o el enchufe) a la toma de corriente, espere 2 o 3 horas antes de introducir alimentos en el aparato. Si agrega alimentos antes de que el electrodoméstico se haya enfriado por completo, es posible que se echen a perder.

## Consejos para ahorrar energía

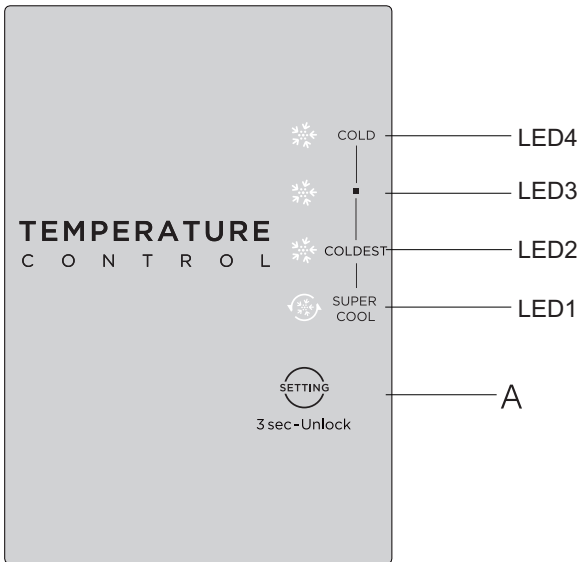
- No coloque el aparato cerca de cocinas, radiadores u otras fuentes de calor. Si la temperatura ambiente es alta, el compresor trabajará con más frecuencia y durante más tiempo, lo que aumentará el consumo de energía.
- Asegúrese de que haya suficiente ventilación en la base del aparato, en los lados del aparato y en la parte posterior del aparato. Nunca cubra las aberturas de ventilación.
- Observe también las medidas de separación en la sección “Instalación”.
- La distribución de cajones, estantes y rejillas que se muestra en la imagen proporciona un consumo más eficiente de energía y, por lo tanto, debe conservarse en la medida de lo posible. Todas las gavetas y estantes deben permanecer en el artefacto para mantener la temperatura estable y ahorrar energía.
- Para obtener mayor espacio de almacenamiento (por ejemplo, para productos grandes refrigerados/congelados), se pueden retirar las gavetas del medio. Las gavetas y estantes superiores e inferiores deben quitarse en último lugar si es necesario.
- Un compartimento refrigerador/congelador lleno de manera uniforme contribuye a un uso óptimo de la energía. Por tanto, evite que los compartimentos estén vacíos o medio vacíos.
- Deje que los alimentos calientes se refrigeren primero antes de colocarlos en el refrigerador/congelador. Los alimentos que ya se han refrigerado aumentan la eficiencia energética.
- Deje que los alimentos congelados se descongelen en el frigorífico. La baja temperatura de los alimentos congelados reduce el consumo de energía en el compartimento de refrigeración y, por tanto, aumenta la eficiencia energética.
- Abra la puerta por el tiempo más breve posible para minimizar la pérdida de frío. Abrir la puerta brevemente y cerrarla correctamente reduce el consumo de energía.
- Los sellos de las puertas de su refrigerador deben estar perfectamente intactas para que las puertas cierren correctamente y no aumente el consumo de energía de manera innecesaria.

ES



# INSTRUCCIONES DE OPERACIÓN

## Panel de control



ES

Botones	
A	Botón Setting (Ajuste)
Pantalla de visualización	
LED4	COLD (FRÍO)
LED3	■
LED2	COLDEST (MUY FRÍO)
LED1	SUPER COOL (SÚPER FRÍO)

### ● ATENCIÓN

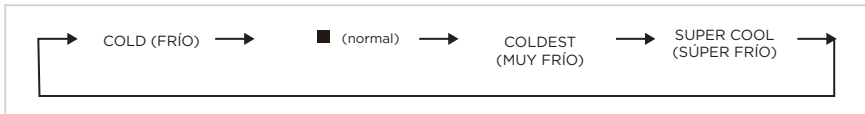
El panel de control real puede diferir de un modelo a otro.

## Instrucciones de operación

### Configuración de temperatura

- Cada vez de pulsar el botón setting (ajuste) A de temperatura, se la cambia por una vez. Después de completar el ajuste de temperatura, funcionará el refrigerador según el valor configurado después de 15s.
- Cuando se activa el modo Súper Frío el refrigerador funcionará a su máxima capacidad para alcanzar más rápido el ajuste más frío y durar más durante 6 horas.

La regulación de turno es:



Nota: La temperatura de cada marcha está dentro de 32 de la temperatura establecida, y la situación real es ligeramente diferente según la situación de carga.

### Indicación de falla

- Cuando energiza el refrigerador por primera vez, la pantalla se enciende con brilla completamente durante 3 segundos, y luego el refrigerador funciona según lo más frío. En caso de falla, se parpadea el LED correspondiente. En caso de sin falla, se demuestra la configuración de temperatura del refrigerador.

Código de falla	Descripción de falla
Parpadeo LED 1 / LED 2	Falla de sensor de temperatura del refrigerador
Parpadeo LED 1 / LED 3	Fallas del sensor de congelación de heladas
Parpadeo LED 1 / LED 4	Falla del sensor de temperatura ambiental

ES

### Bloqueo / Desbloqueo

- Cuando el panel de control de temperatura está en estado bloqueado, se requiere un pulso largo el botón de ajuste de temperatura por 3 segundos para desbloquear el panel, se parpadearán todos los LEDs por 2 segundos al desbloquear el panel. Cuando el panel de control de temperatura está en estado desbloqueado, y no ocurre más operación en el panel en 15 segundos, entrará el panel en el estado bloqueado automáticamente.

## Consejos sobre almacenamiento de alimentos

### Compartimento de congelación

- El congelador está diseñado para el almacenamiento de alimentos congelados a muy baja temperatura, el almacenamiento a largo plazo de alimentos congelados y para la producción de hielo.
- Utilice los estantes de la puerta del congelador únicamente para almacenar alimentos congelados, no para almacenar alimentos calientes designados para congelación.
- No coloque alimentos frescos y congelados uno al lado del otro. La comida congelada puede descongelarse.
- Cuando congele alimentos frescos (como carne, pescado o carne picada), córtelos en partes que se puedan usar al mismo tiempo.
- Almacenamiento de alimentos congelados: las instrucciones generalmente se indican en los paquetes, que deben seguirse. Si no hay información en el empaque, los alimentos no deben almacenarse por más de tres meses a partir de la fecha de compra.
- Al comprar alimentos congelados, asegúrese de que estén congelados a una temperatura adecuada y que el empaque no esté dañado.
- Los alimentos congelados deben conservarse en envases adecuados para conservar la calidad y deben devolverse al compartimiento de congelación lo antes posible.
- Si un paquete de alimentos congelados muestra humedad o un abultamiento anormal, es probable que se haya almacenado a la temperatura incorrecta y que el contenido esté dañado.
- El período de almacenamiento de los alimentos congelados depende de la temperatura ambiente, la configuración del termostato, la frecuencia de apertura de la puerta del congelador, el tipo de alimento y el tiempo de transporte del producto desde la tienda hasta el hogar.  
Siempre siga las instrucciones impresas en el paquete y nunca exceda el tiempo máximo de almacenamiento indicado en el paquete.

### Compartimento del refrigerador

- Para reducir la humedad y la subsiguiente acumulación de hielo, nunca ponga líquido en el refrigerador en recipientes sin sellar. La escarcha tiende a concentrarse en las partes más frías del evaporador. El almacenamiento de líquidos descubiertos da como resultado una necesidad más frecuente de descongelación.
- Nunca coloque alimentos calientes en el refrigerador. Estos deben enfriarse primero a temperatura ambiente y luego colocarse de manera que garanticen una circulación de aire adecuada en el refrigerador.
- Los alimentos o los recipientes de alimentos no deben tocar la pared trasera del refrigerador porque podrían congelarse en la pared. No siga abriendo regularmente la puerta del refrigerador.
- La carne y el pescado limpios (envasados en un paquete o papel de plástico) se pueden colocar en el refrigerador, que se puede usar en 1 o 2 días.
- Las frutas y verduras sin envasar podrán colocarse en la parte destinada a las frutas y verduras frescas.

### ⚠ ATENCIÓN

El ajuste de temperatura óptimo de cada compartimento depende de la temperatura ambiente. La temperatura superior a la óptima se basa en la temperatura ambiente de 25 °C. El efecto de congelación del refrigerador se verá afectado negativamente por el exceso de almacenamiento de alimentos durante el funcionamiento después de la conexión inicial a la fuente de alimentación. Los alimentos almacenados no deben bloquear la salida de aire; de lo contrario, el efecto de congelación también se verá afectado negativamente. Cuando almacene bebidas en la configuración más fría, las frutas y verduras internas corren el riesgo de congelarse, configure menos refrigeración si la configuración más fría es muy fría.

ES

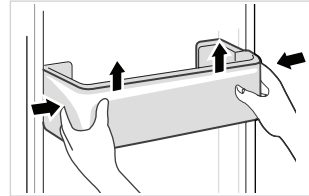
# LIMPIEZA Y MANTENIMIENTO

## Descongelación

- El refrigerador está hecho según el principio de refrigeración por aire y, por lo tanto, tiene una función de descongelación automática. Las escarchas formadas debido al cambio de estación o temperatura también se pueden eliminar manualmente desconectando el aparato de la fuente de alimentación o limpiándolo con una toalla seca.

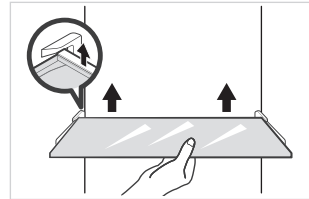
## Limpieza de la bandeja de la puerta

- De acuerdo con la flecha de dirección de la siguiente figura, utilice ambas manos para presionar la bandeja y empujela hacia arriba para retirarla.
- Después de haber lavado la bandeja, puede ajustar la altura de instalación de acuerdo con sus necesidades.



## Limpieza del estante de vidrio

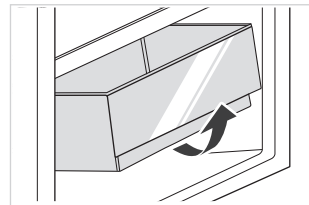
- Dado que la parte más interna del revestimiento del refrigerador donde los estantes entran en contacto, tiene un tope, deberá levantar los estantes hacia arriba y luego podrá sacarlo.
- Ajuste o limpie los estantes según sus necesidades.



ES

## Limpieza de la caja de frutas y verduras

1. Retire el contenido del cajón. Sostenga el asa del cajón de verduras y tire de él completamente hasta que se detenga.
2. Levante el cajón de verduras y retírelo tirando de él.



## ● ATENCIÓN

Se recomiendan toallas suaves o esponjas mojadas en agua y detergentes neutros no corrosivos para la limpieza. El congelador debe limpiarse inicialmente con agua limpia y un paño seco. Abra la puerta para un secado natural antes de que se encienda. No use cepillos duros, bolas de acero de limpieza, cepillos de alambre, abrasivos (como pastas dentales), solventes orgánicos (como alcohol, acetona, aceite de plátano, etc.), agua hirviendo, elementos ácidos o alcalinos a limpiar el refrigerador, que pueden dañar la superficie e interior del refrigerador.

## Dejar de usar

### Falla de fuente de alimentación:

En caso de falla de la fuente de alimentación, incluso en verano, los alimentos dentro del aparato se pueden guardar durante varias horas; durante el corte de alimentación, se reducirán los tiempos de apertura de la puerta y no se colocarán más alimentos frescos en el mismo.

### Sin usar por largo tiempo:

El aparato debe desenchufarse y luego limpiarse; entonces las puertas se dejan abiertas para evitar el olor.

### Movimiento:

Antes de mover el refrigerador, retire todos los objetos interiores, fije las particiones de vidrio, el porta-verduras, los cajones de la cámara de congelación, etc. con cinta adhesiva, y apriete las patas de nivelación; cierre las puertas y fijelas con cinta adhesiva. Durante el movimiento, el aparato no debe colocarse boca abajo u horizontalmente, ni vibrarse; la inclinación durante el movimiento no será superior a 45°.

## ● ATENCIÓN

El aparato debe funcionar continuamente una vez encendido. En general, el funcionamiento del aparato no debe interrumpirse; de lo contrario, la vida útil se verá afectada.

Los alimentos se pueden conservar durante un par de horas incluso en verano en caso de corte de energía; se recomienda reducir la frecuencia de apertura de la puerta.

ES

# SOLUCIÓN DE PROBLEMAS

El usuario puede solucionar los siguientes problemas sencillos. Llame al departamento de servicio post-venta si los problemas no se resuelven.

Problema	Causa posible
Operación fallida	<ul style="list-style-type: none"> <li>• Compruebe si el aparato está conectado a la fuente de alimentación o si el enchufe está en contacto correcto</li> </ul>
	<ul style="list-style-type: none"> <li>• Compruebe si el voltaje es demasiado bajo</li> </ul>
	<ul style="list-style-type: none"> <li>• Compruebe si hay falla en la fuente de alimentación o si se han disparado los circuitos parciales</li> </ul>
Olor	<ul style="list-style-type: none"> <li>• Los alimentos con olor deben estar bien envueltos</li> </ul>
	<ul style="list-style-type: none"> <li>• Compruebe si hay alimentos podridos</li> </ul>
	<ul style="list-style-type: none"> <li>• Limpie el interior del refrigerador</li> </ul>
Funcionamiento prolongado del compresor	<ul style="list-style-type: none"> <li>• La operación larga del refrigerador está normal en verano</li> </ul>
	<ul style="list-style-type: none"> <li>• En caso de temperatura ambiente alta, no es aconsejable tener demasiados alimentos en el aparato al mismo tiempo</li> </ul>
	<ul style="list-style-type: none"> <li>• Los alimentos debe refrigerarse antes de colocarlos en el aparato</li> </ul>
	<ul style="list-style-type: none"> <li>• Las puertas se abren con demasiada frecuencia</li> </ul>
La luz no se enciende	<ul style="list-style-type: none"> <li>• Compruebe si el refrigerador está conectado a la fuente de alimentación y si la luz de iluminación está dañada</li> </ul>
	<ul style="list-style-type: none"> <li>• Reemplace la luz por un especialista</li> </ul>
La puerta no se puede cerrar correctamente	<ul style="list-style-type: none"> <li>• La puerta está atascada por los paquetes de alimentos</li> </ul>
	<ul style="list-style-type: none"> <li>• Se han colocado demasiado comidas.</li> </ul>
	<ul style="list-style-type: none"> <li>• El refrigerador está inclinado</li> </ul>
Ruidos fuertes	<ul style="list-style-type: none"> <li>• Compruebe si el piso está nivelado y si el refrigerador está colocado de manera estable</li> </ul>
	<ul style="list-style-type: none"> <li>• Compruebe si los accesorios están colocados en ubicaciones adecuadas.</li> </ul>

ES

Problema	Causa posible
Se pierde la eficiencia de sellado de la puerta.	<ul style="list-style-type: none"> <li>• Elimine materias extrañas en el sello de la puerta</li> <li>• Caliente el sello de la puerta y luego enfríe para restaurarlo (o sople con un secador eléctrico o use una toalla caliente para calentar)</li> </ul>
La bandeja de agua se desborda	<ul style="list-style-type: none"> <li>• Hay demasiado alimento en la cámara o el alimento almacenado contiene demasiada agua, lo que resulta en descongelación intensa</li> <li>• Las puertas no están cerradas correctamente, lo que provoca la formación de escarcha debido a la entrada de aire y el aumento de agua debido a la descongelación</li> </ul>
Carcasa caliente	<ul style="list-style-type: none"> <li>• Disipación de calor del condensador incorporado a través de la carcasa, la cual es normal cuando la carcasa se calienta debido a la temperatura ambiente alta, el almacenamiento de demasiados alimentos o el apagado del compresor, proporcione ventilación sólida para facilitar la disipación de calor</li> </ul>
Condensación superficial	<ul style="list-style-type: none"> <li>• La condensación en la superficie exterior y los sellos de las puertas del refrigerador es normal cuando la humedad ambiental es demasiado alta. Simplemente limpie el condensado con una toalla limpia.</li> </ul>
Ruido anormal	<ul style="list-style-type: none"> <li>• Zumbido: El compresor puede producir zumbidos durante la operación, y los zumbidos son fuertes, especialmente al arrancar o parar. Esto es normal.</li> <li>• Crujido: El refrigerante que fluye dentro del aparato puede producir un crujido que es normal.</li> </ul>

**ES**



*make yourself at home*



[www.midea.com](http://www.midea.com)

© Midea 2022 all rights reserved